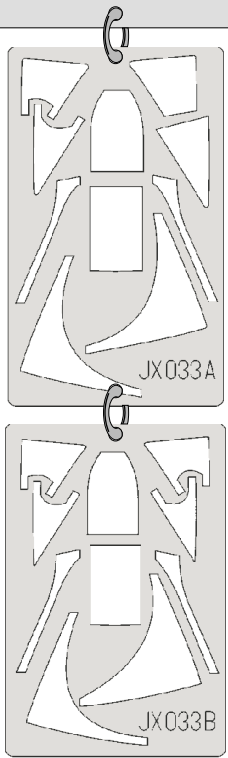


eduard
MASK

A-10 Thunderbolt II.

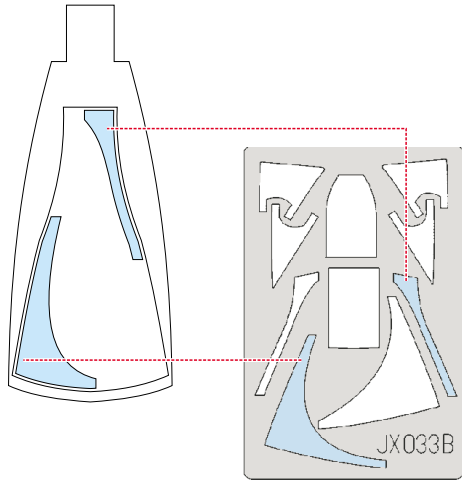
The die-cut mask for accurate canopy frame painting of the
Trumpeter 1/32 KIT

JX 033



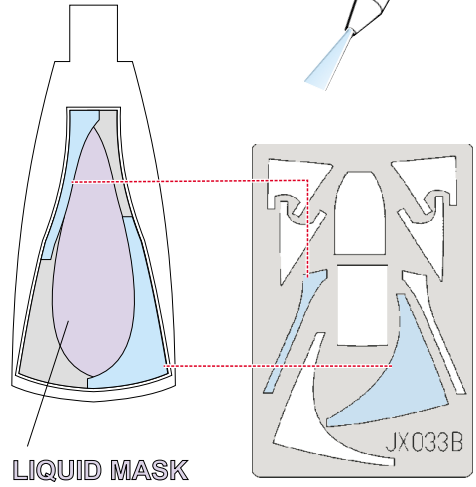
1.)

L1



2.)

L1

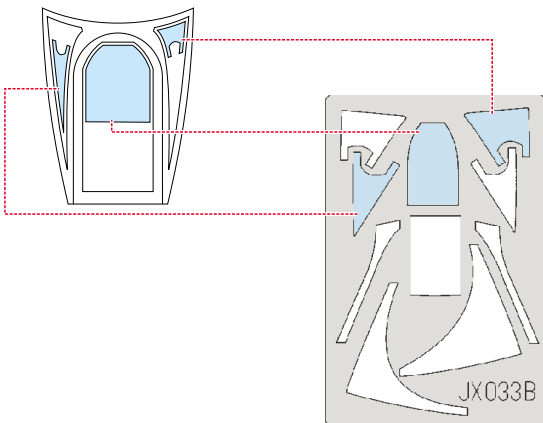


RUBBER
COLOR

LIQUID MASK

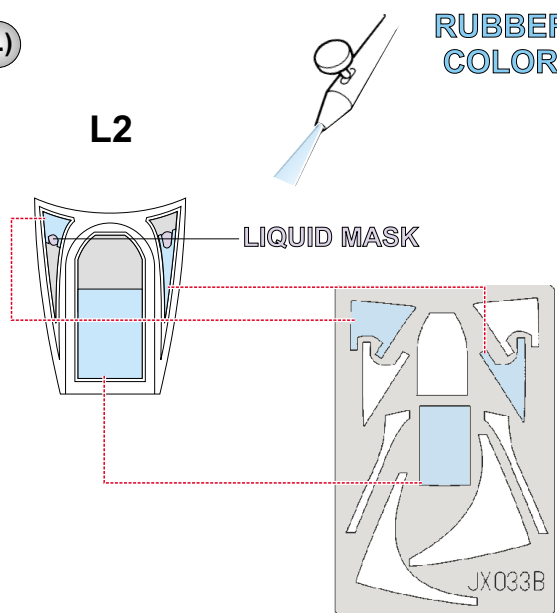
3.)

L2



4.)

L2

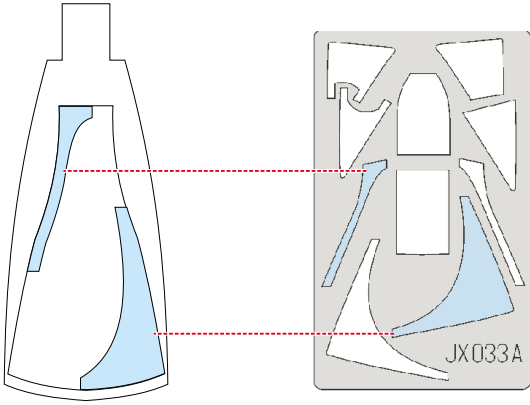


RUBBER
COLOR

LIQUID MASK

5.)

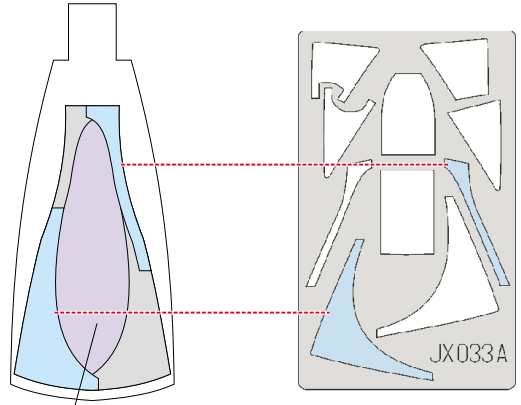
L1



6.)

L1

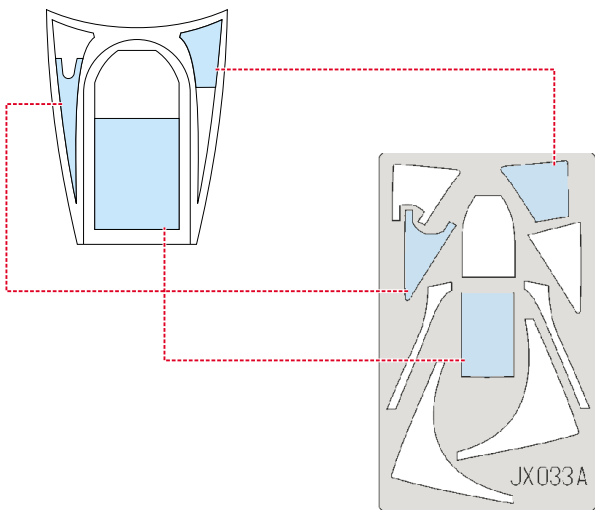
CAMOUFLAGE COLOR



LIQUID MASK

7.)

L2



8.)

L2

CAMOUFLAGE COLOR

