



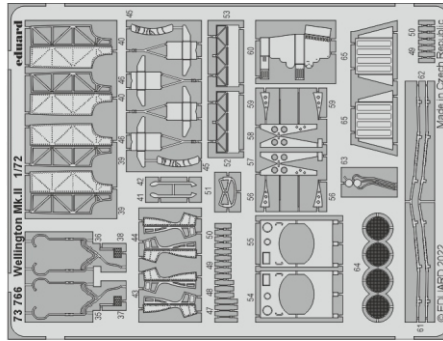
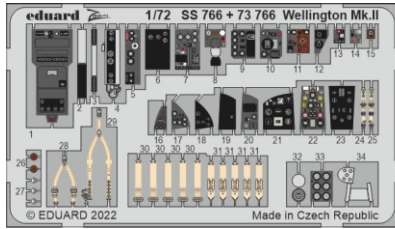
Wellington Mk.II

eduard

73 766

1/72

detail set for AIRFIX 1/72 kit • sada detailů pro stavebnici AIRFIX 1/72



- APPLY EXPRESS MASK AND PAINT BEFORE GLUING
POUŽIT EXPRESS MASK NABARVIT PŘED SLEPENÍM
 - SYMMETRICAL ASSEMBLY
SYMETRICKÁ MONTÁŽ
 - REMOVE
ODSTRANIT
 - GRIND
OBROUSIT
 - DRILL HOLE
VRTAT OTVOR
 - COLORED ETCHED PARTS
LEPTANÉ BAREVNÉ DÍLY
 - ETCHED PARTS
LEPTANÉ NEBAREVNÉ DÍLY
 - ORIGINAL KIT PARTS
PŮVODNÍ DÍLY STAVEBNICE
- BEND
OHNOUT
 - OPTION
VOLBA
 - REPLACE
NAHRADIT

ORIGINAL KIT PARTS PŮVODNÍ DÍLY STAVEBNICE	PHOTO-ETCHED PARTS LEPTANÉ DÍLY	PARTS TO BE REMOVED DÍLY K ODSTRANĚNÍ	FILL TMELIT
---	------------------------------------	--	----------------

A 	B C 	D 	E
--------------	------------------------------	--------------	--------------

The assembly diagrams show the following steps:

- Part A:** Two long, thin photo-etched strips are attached to the seat backrest (E36) using a small hole punch.
- Part B:** A curved photo-etched strip is attached to the seat backrest (E36).
- Part C:** A photo-etched strip with a hole is attached to the seat base.
- Part D:** A photo-etched strip is attached to the fuselage (D7) near the seat.
- Part E:** A photo-etched strip is attached to the fuselage (E5) near the seat.

