

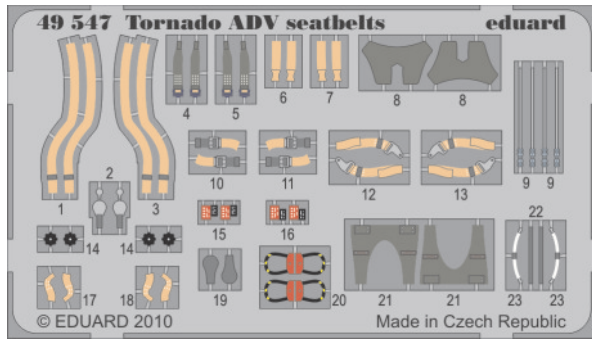


Tornado ADV seatbelts

eduard

49 547

1/48 scale detail set for Hobby Boss kit • sada detailů pro model 1/48 Hobby Boss



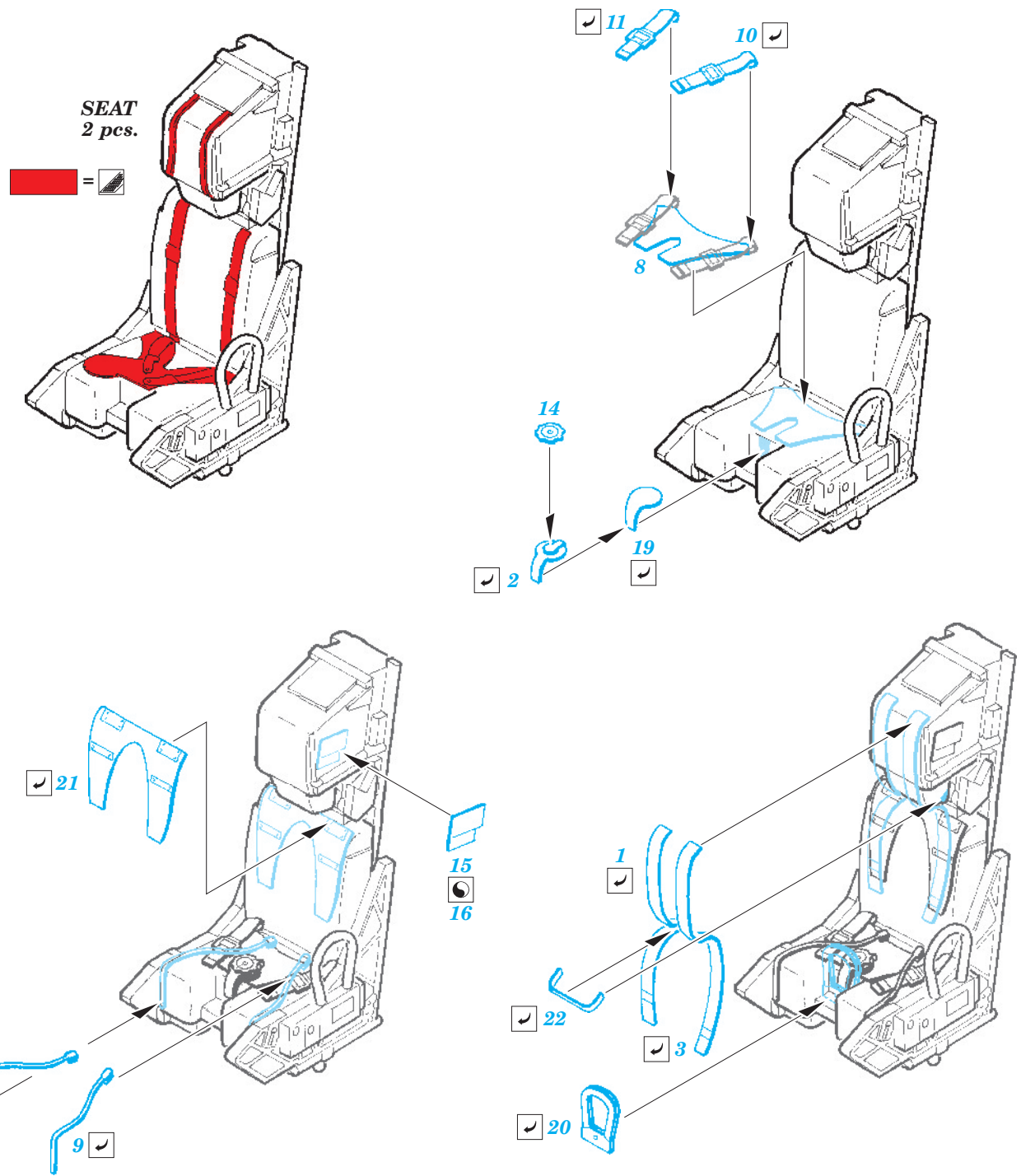
- ★ APPLY EXPRESS MASK AND PAINT BEFORE GLUING
POUŽIT EXPRESS MASK NABARVIT PŘED SLEPENÍM
- ☯ SYMMETRICAL ASSEMBLY
SYMETRICKÁ MONTÁŽ
- REMOVE
ODSTRANIT
- ▨ GRIND
OBROUSIT
- ⊘ DRILL HOLE
VRTAT OTVOR
- ↪ BEND
OHNOUT
- ? OPTION
VOLBA
- Ⓜ REPLACE
NAHRADIT

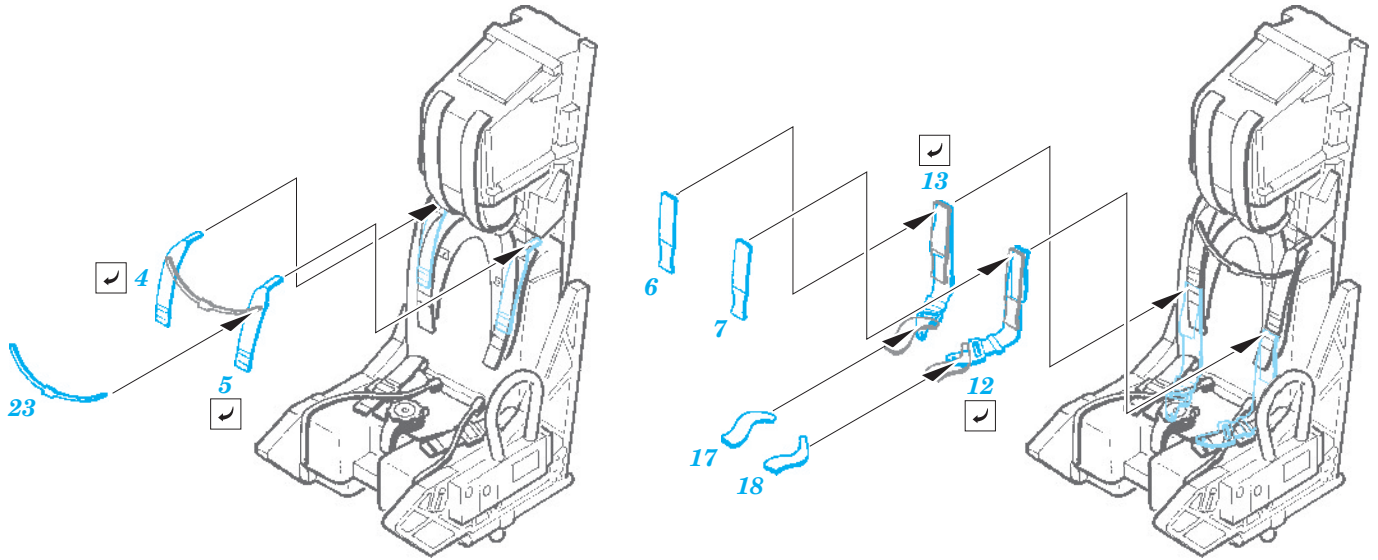
ORIGINAL KIT PARTS
 PŮVODNÍ DÍLY STAVEBNICE

PHOTO-ETCHED PARTS
 LEPTANÉ DÍLY

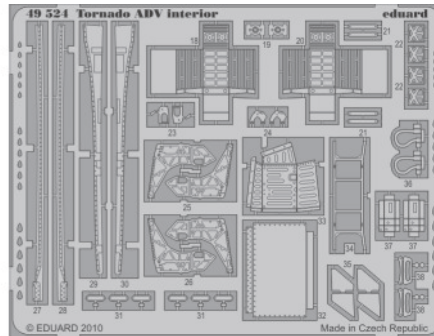
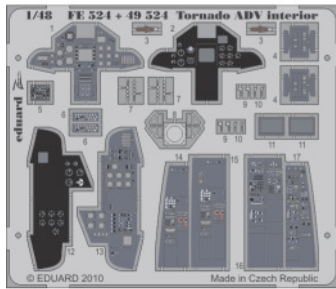
PARTS TO BE REMOVED
 DÍLY K ODSTRANĚNÍ

FILL
 TMELIT

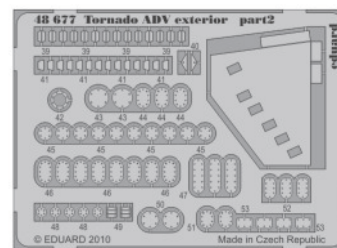
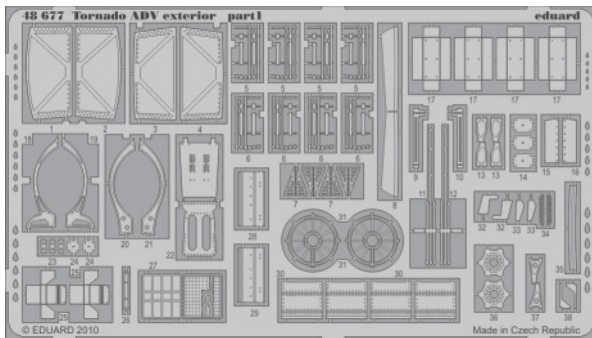




*For further detail sets look for **eduard** 49 524 Tornado ADV interior S.A. (not included in this set)*



*For further detail sets look for **eduard** 48 677 Tornado ADV exterior (not included in this set)*



*For further detail sets look for **eduard** 48 690 Tornado Air brake and flaps (not included in this set)*

