



B-25 Seatbelts FABRIC

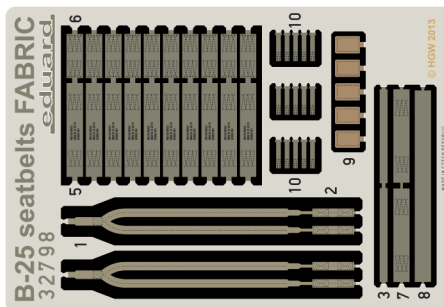
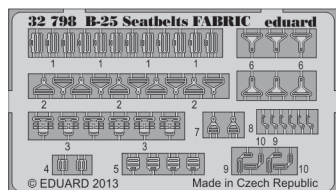
eduard

32 798

1/32 scale detail set for HK MODELS kit • sada detailů pro model 1/32 HK MODELS

**PE -
PHOTOETCHED
PART**

**TP -
TEXTILE
PART**



- APPLY EXPRESS MASK AND PAINT BEFORE GLUING
POUŽIT EXPRESS MASK NABARVIT PŘED SLEPENÍM
- SYMMETRICAL ASSEMBLY
SYMETRICKÁ MONTÁŽ
- REMOVE
ODSTRANIT
- GRIND
OBROUSIT
- DRILL HOLE
VRTAT OTVOR
- BEND
OHNOUT
- OPTION
VOLBA
- REPLACE
NAHRADIT
- 1** COLORED ETCHED PARTS
LEPTANÉ BAREVNÉ DÍLY

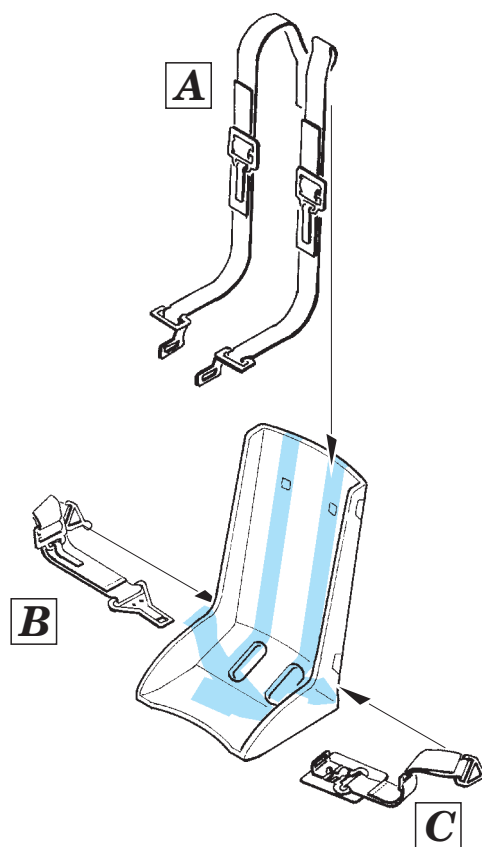
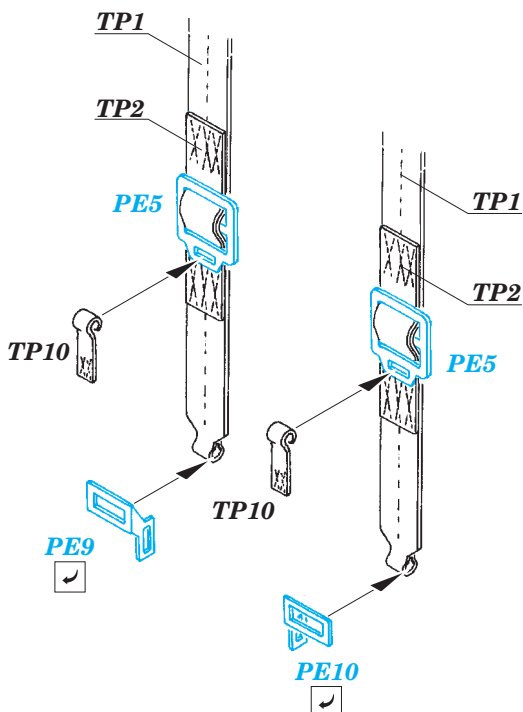
ORIGINAL KIT PARTS
PŮVODNÍ DÍLY STAVEBNICE

PHOTO-ETCHED PARTS
LEPTANÉ DÍLY

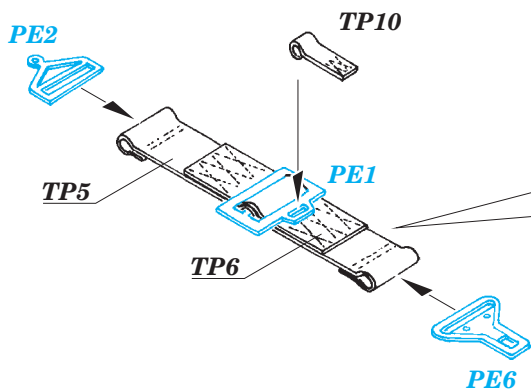
PARTS TO BE REMOVED
DÍLY K ODSTRANĚNÍ

FILL
TMELIT

A 2 pcs.

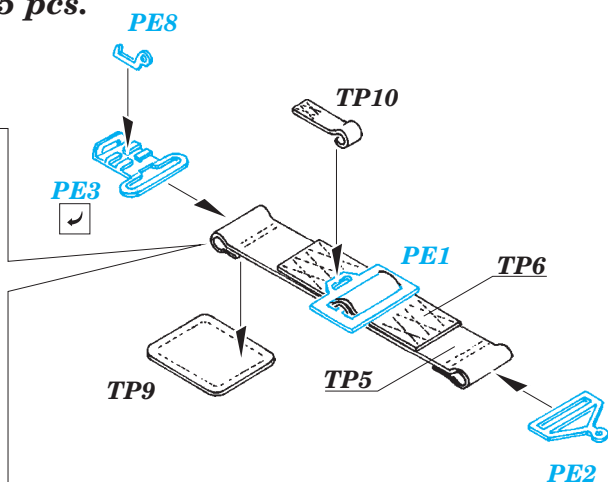
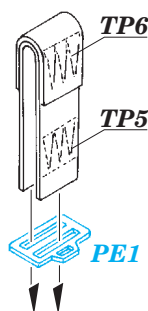


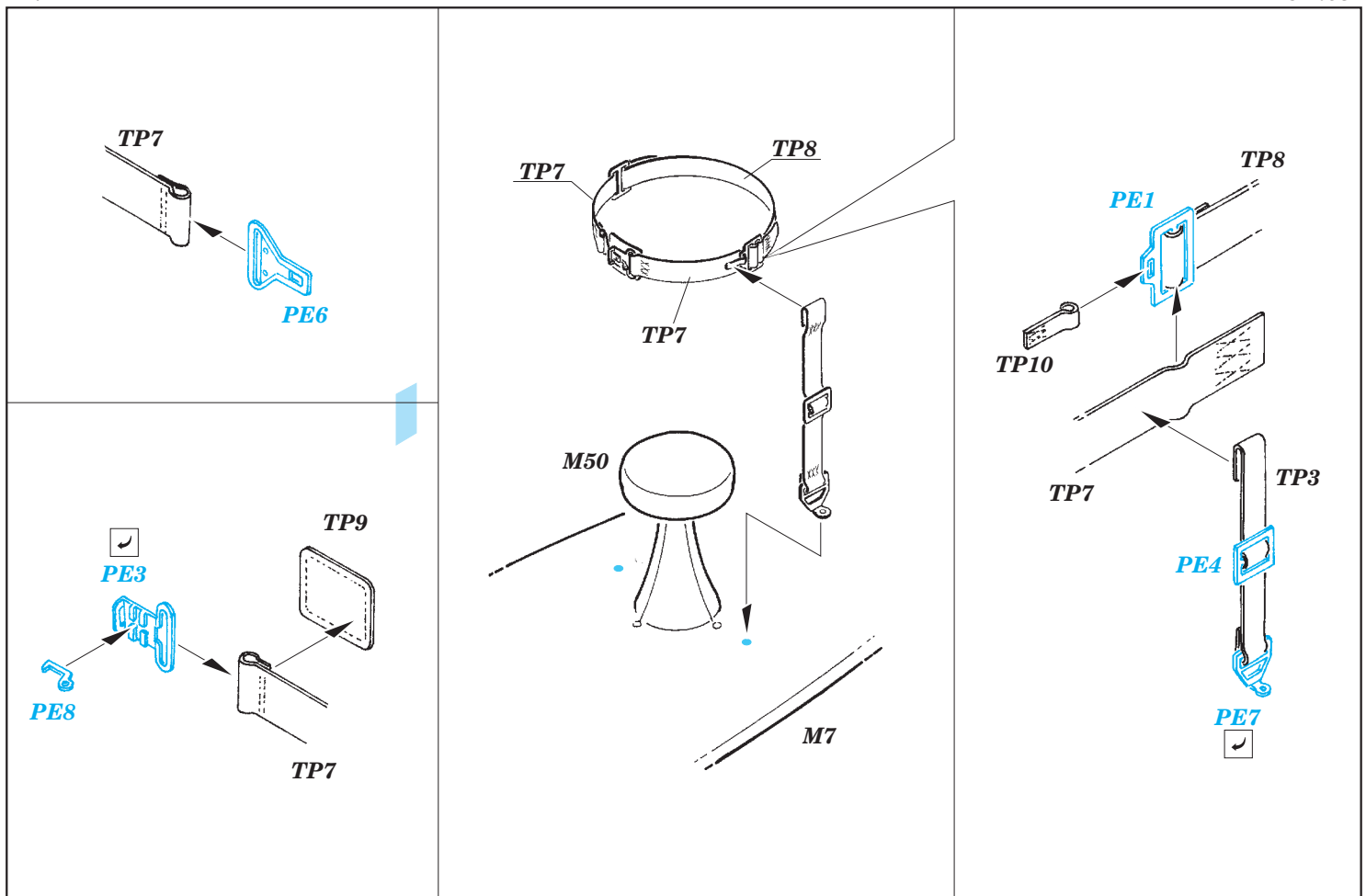
B 5 pcs.



C 5 pcs.

10 pcs.





1. Take the precut textile part out of the sheet.
2. Remove supporting paper.
3. Crumple the belt into a little ball and nead it between the fingers.
4. Thread the belts through the buckles - use superglue.
5. Put the belts into the seat.
6. Spray by the glossy varnish.
7. Impregnate the belts with very diluted oil color (mix black and brown) - it will highlight the texture.
8. Spray by matt varnish.

After the varnish becomes dry it is possible to drybrush with light oil colour.